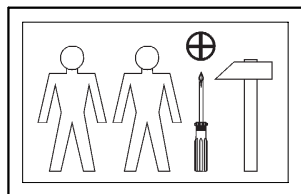
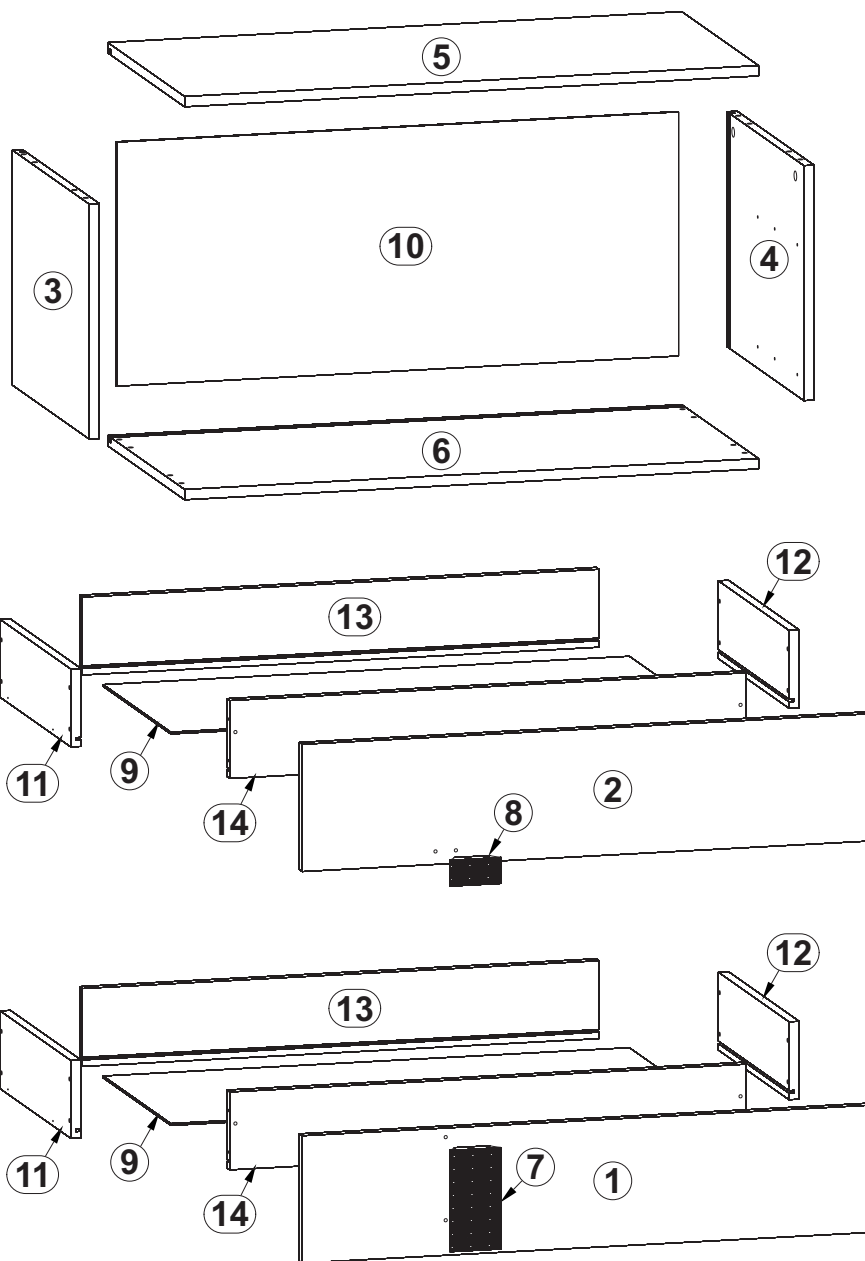
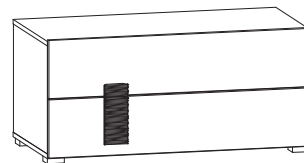
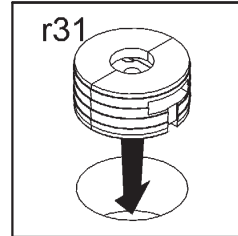
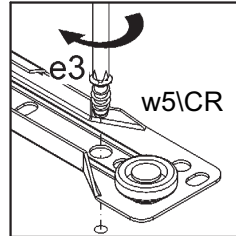
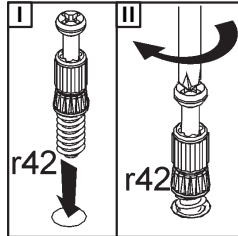
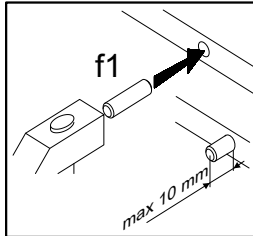
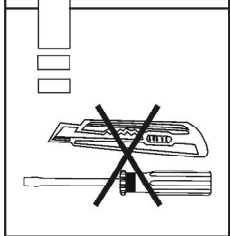
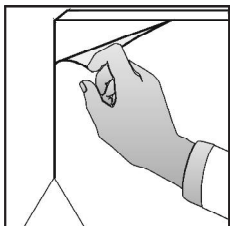
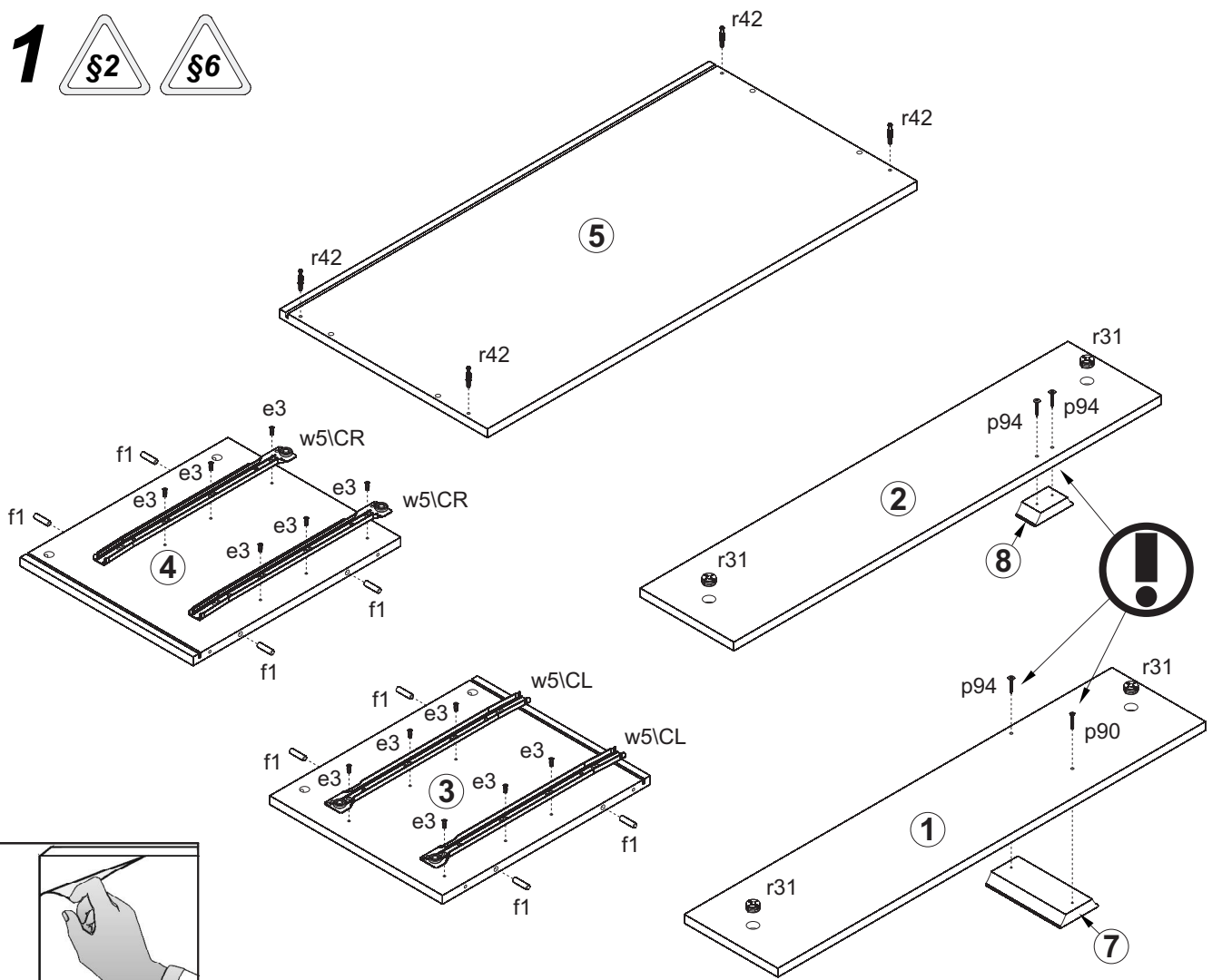


A	B	C		D	A	B	C		D
1	S190-006	896	196	3/3	8	S190-555	40	80	2/3
2	S190-013	896	196	3/3	9	S190-916	825	383	1/3
3	S190-107	362	435	1/3	10	S190-915	376	881	1/3
4	S190-120	362	435	1/3	11	S190-501	400	120	1/3
5	S190-213	900	435	1/3	12	S190-502	400	120	1/3
6	S190-214	900	435	1/3	13	S190-503	810	120	1/3
7	S190-553	156	80	2/3	14	S190-504	810	120	1/3

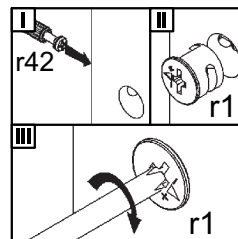
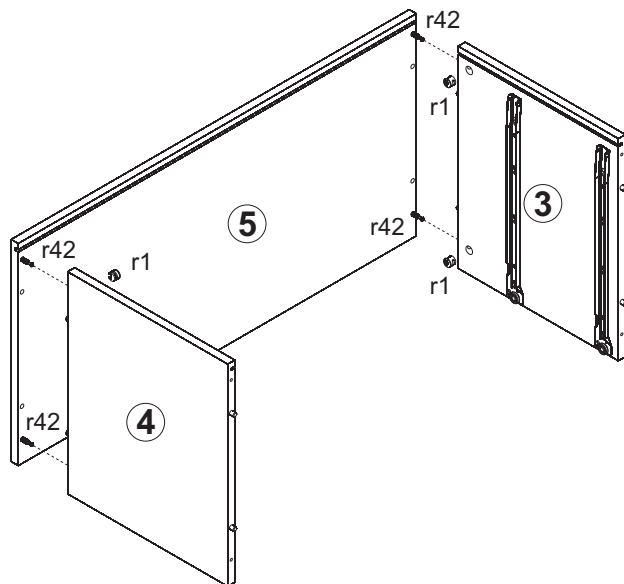


4x φ7x50 mm e1	20x φ6x13 mm e3	16x φ5x50 mm e32	8x φ8x30 mm f1	4x M4x22 mm j30	4x k821	4x k8212	12x l2
4x φ3,5x16 mm p25	8x φ3x12 mm p54	1x φ4x28 mm p90	3x φ4x28 mm p94	4x φ15x12mm #16 r1	4x φ21x10mm r31	4x 20/11 r42	2x φ16 s2
2x 367 mm t100	2x 400 mm w5^{CL}	2x 400 mm w5^{CR}	2x 400 mm w5^{DL}	2x 400 mm w5^{DR}	1x z1		

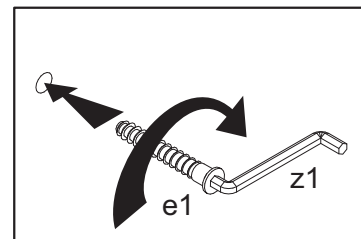
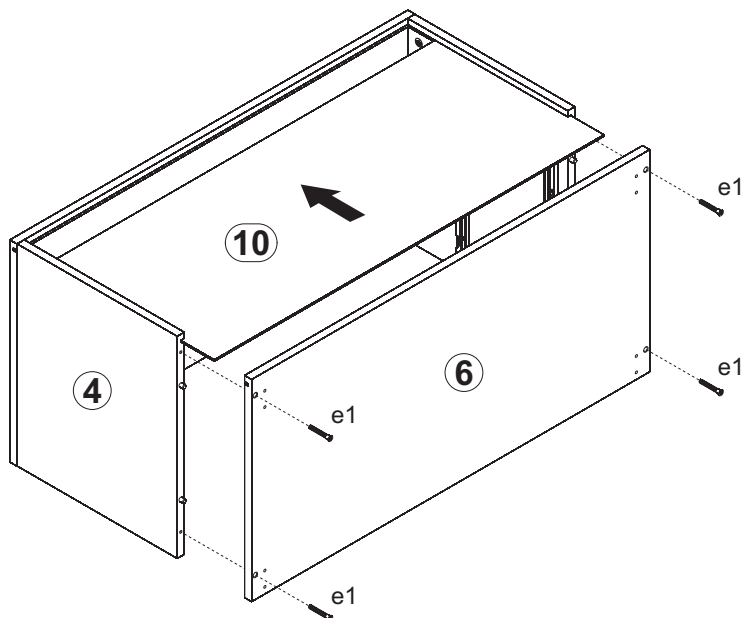
1



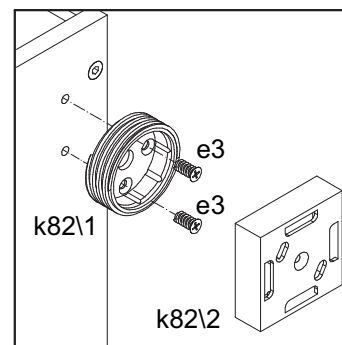
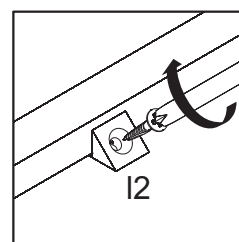
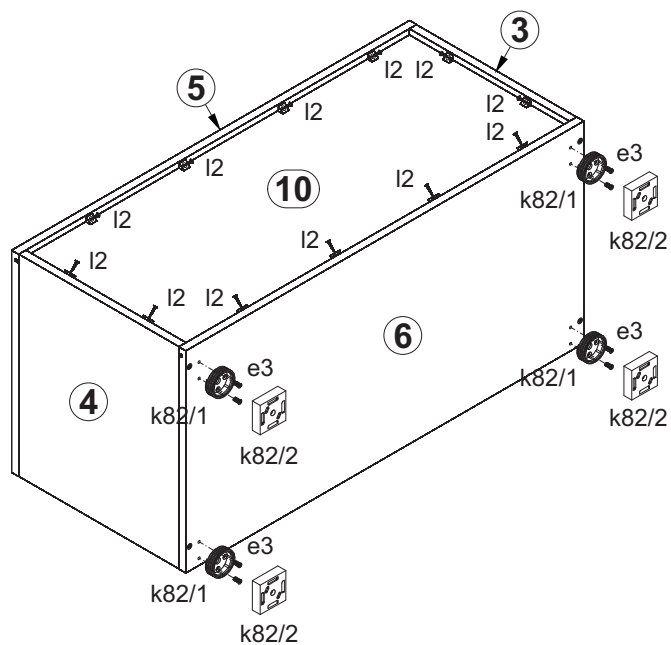
2



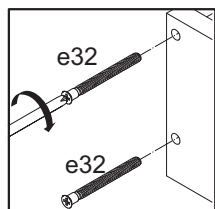
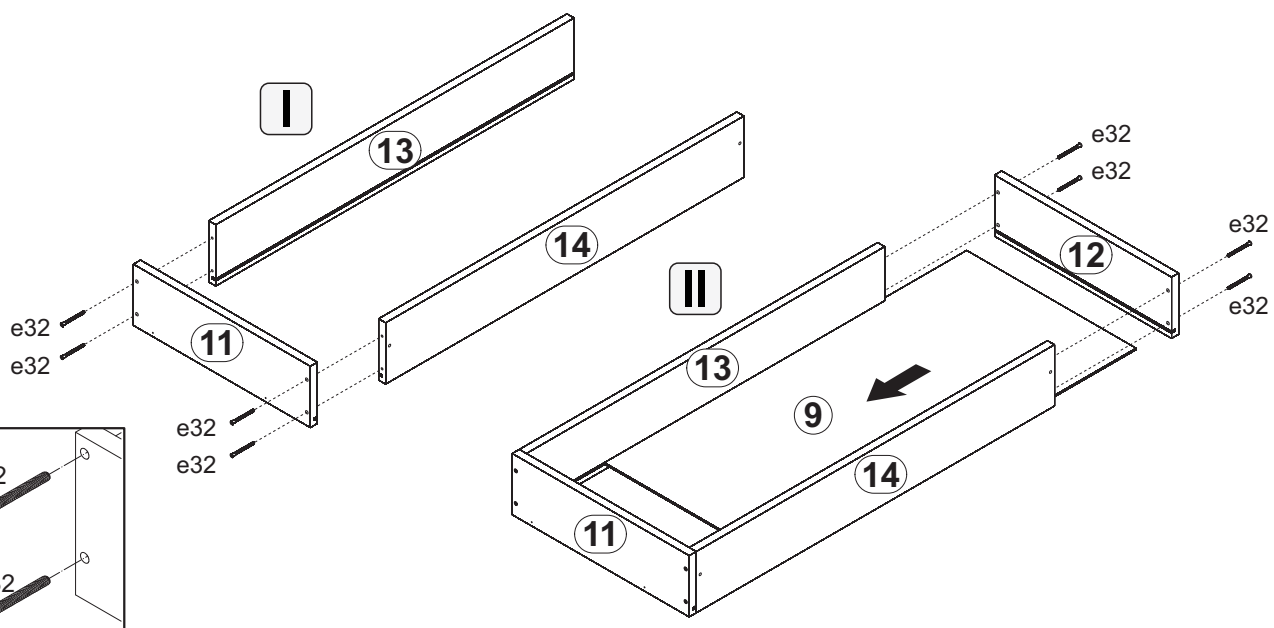
3



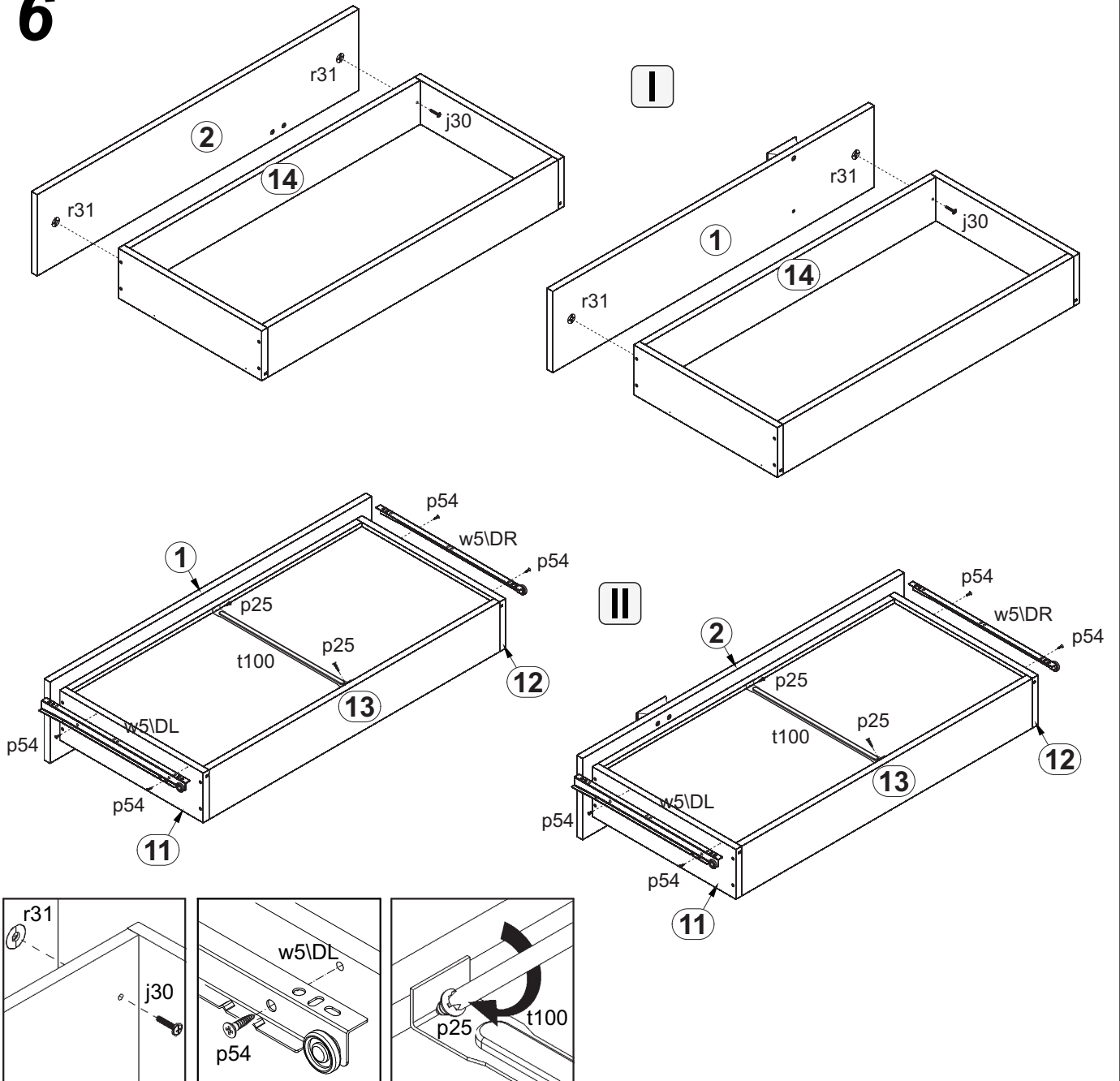
4



5



6



7

